



LIGHTNING PREVENTION SYSTEMS, INC.

Advanced Products & Services Since 1997

Camera Pole Lightning Protection Kit

LPS now offers a camera pole lightning kit with our prevention technology. This system will prevent direct lightning attachments to the camera and pole. Our quality manufactured materials will last the life of the application.

Our prevention systems have been used across the world on thousands of applications. Organizations such as the US Department of Defense, US NAVY & Air force, and Orbital Sciences have been safeguarding their equipment from lightning damage with our products. We now offer our products in a easy to order kit for Camera pole applications. This kit will ensure that you will never have a interruption or equipment failure from lightning.

How the System Works

The lightning rod, which uses the point discharge (corona effect) to attract the stepped leader of a thunder cloud, is constantly dissipating ions into the atmosphere. By multiplying the number of discharge points thousand of times, a static dissipater was developed to gather the static build up or electrical charge on an object and rapidly dissipate the charge into the atmosphere. The wind and circulation of air particles typically blow these accumulated ions into the atmosphere thereby neutralizing the charge of the object. On a continuous operational basis, the ground charge never reaches a high enough value to be attractive to a lightning strike.

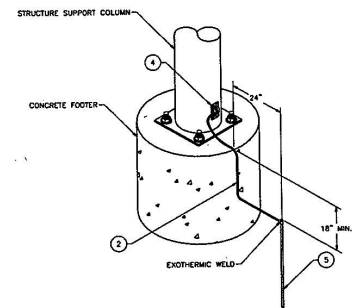
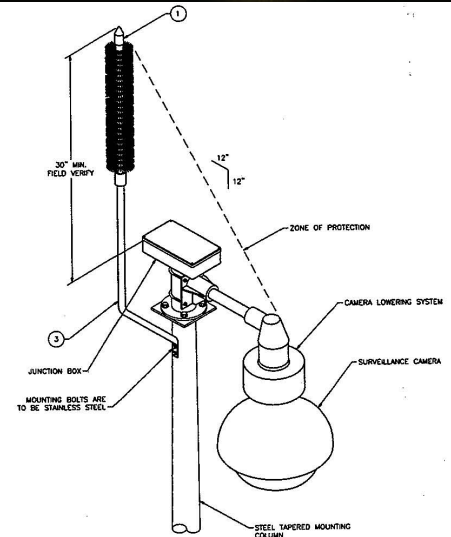
Call to order 888-NO-SRIKE

LPS- CP-Kit 1: For Traffic Camera Poles or Light Poles under 75' in Height

Qty 1- 48" height x 5/8" diameter offset Stem. Includes 3 -3/8" stainless mounting bolts
Qty 1- ALS-100: 14" height stainless steel prevention air terminal
Qty 1- Copper bonding plate. Connects ground copper cable to pole
Qty 10'- Tinned coated Class I stranded copper cable
Qty 1- 3/4" x 10' ground rod not included. Ground rod can be purchased at local electrical supplier
Qty 1- Cable to ground rod connector
All materials are UL listed lightning equipment
Price: \$480.00

LPS- CP-Kit 2: For Traffic Camera Poles or Light Poles Over 75' in Height

Qty 1- 48" height x 5/8" diameter offset Stem. Includes 3 -3/8" stainless mounting bolts
Qty 1- ALS-100 stainless steel prevention air terminal
Qty 1- Copper bonding plate. Connects ground copper cable to pole
Qty 10'- Tinned coated class II stranded copper cable
Qty 1- 3/4" x 10' ground rod not included. Ground rod can be purchased at local electrical supplier
Qty 1- Cable to ground rod connector
All materials are UL listed lightning equipment
Price: \$680.00



7-1 TYPICAL GROUNDING OF CAMERA SUPPORT COLUMN
1/2\"/>

Lightning Prevention Systems, Inc
PO Box 353 West Berlin, NJ 08091
PH: (856) 767-7806 Fax: (856) 767-7547
Email: Info@Lpsnet.com